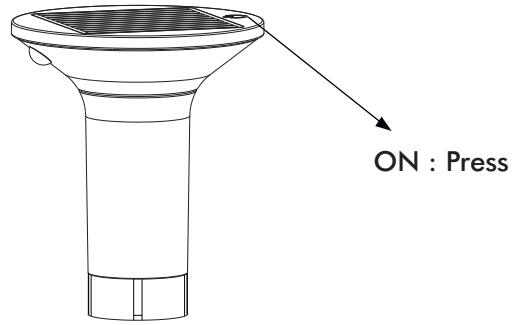


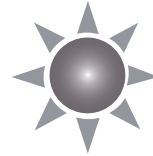
Art.no 481-17

FIRST USE

STEP 1.



STEP 2.



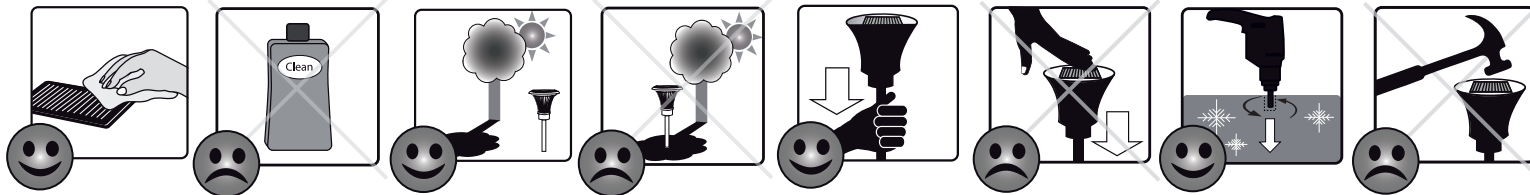
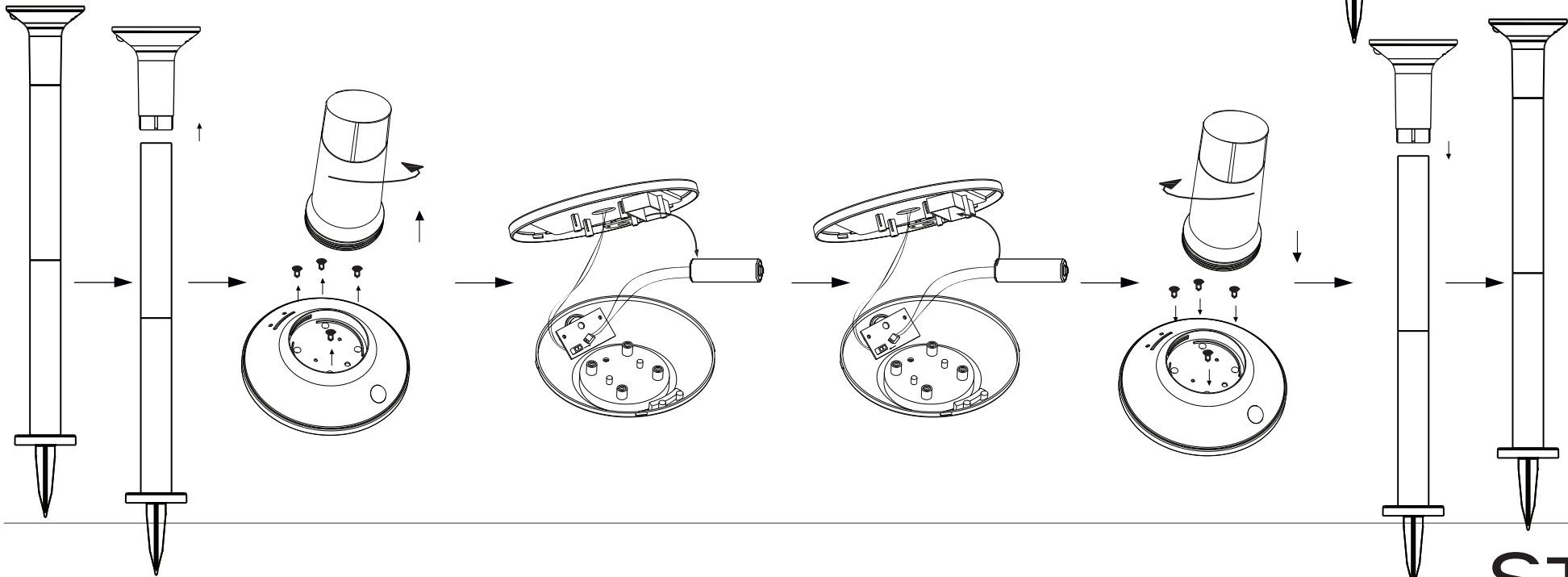
ON : Press



OFF : Press+1

Ready after  
36 h in the sun

BATTERY REPLACEMENT

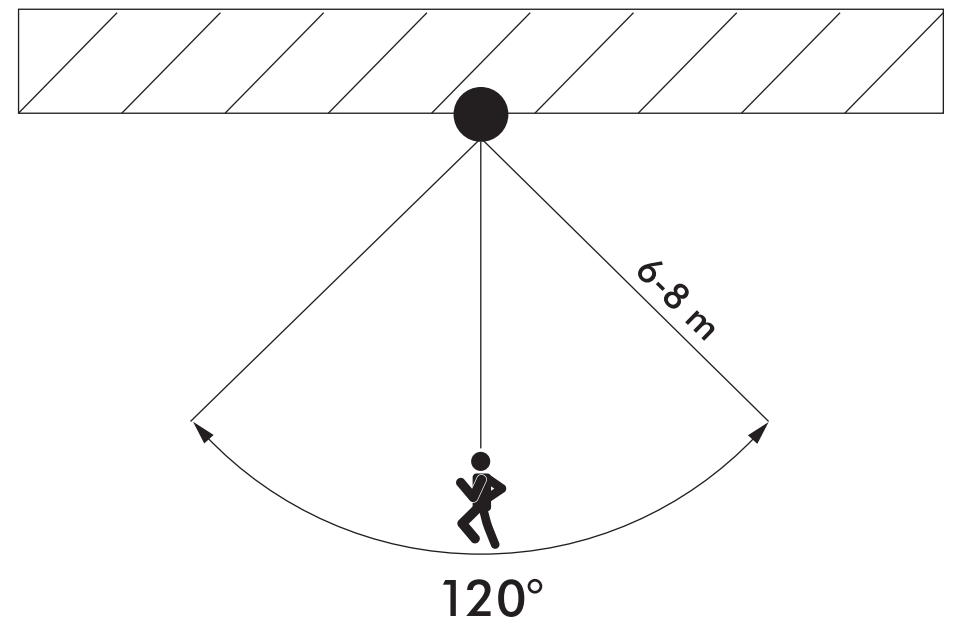
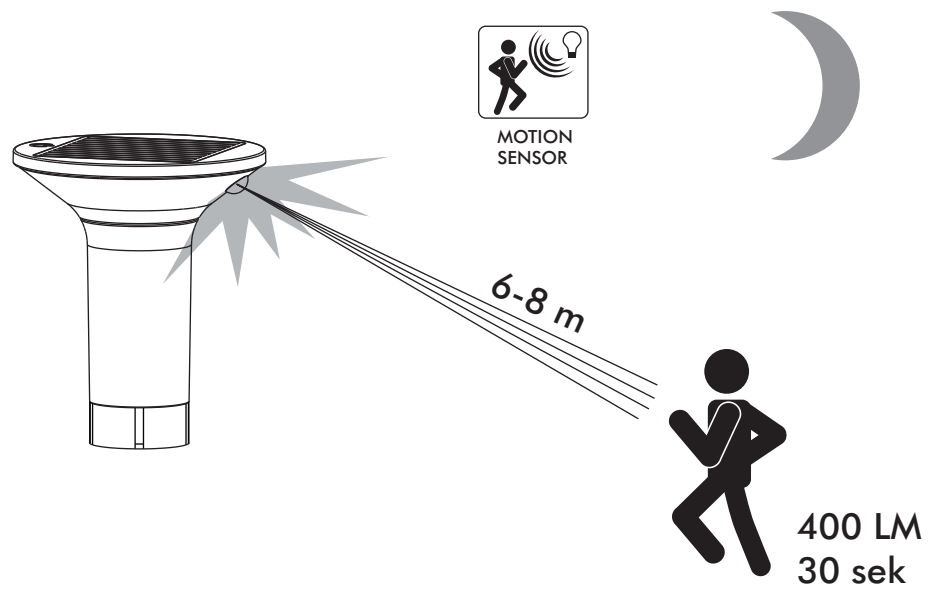


**STAR**<sup>®</sup>  
TRADING  
STAR STREET 1  
512 50 SVENLJUNGA  
SWEDEN  
[www.startrading.com](http://www.startrading.com)

**Art.no 481-17**

# 15 LUMEN CONSTANT LIGHT

MOTION SENSOR 400 LUMEN FOR 30 SEK



**STAR**<sup>®</sup>  
TRADING  
STAR STREET 1  
512 50 SVENLJUNGA  
SWEDEN  
[www.startrading.com](http://www.startrading.com)

 x 3       x 3

