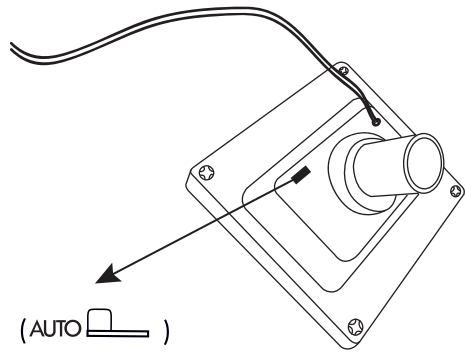


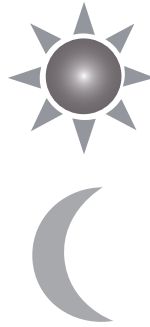
# Art.no 481-86

## FIRST USE

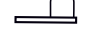
STEP 1.

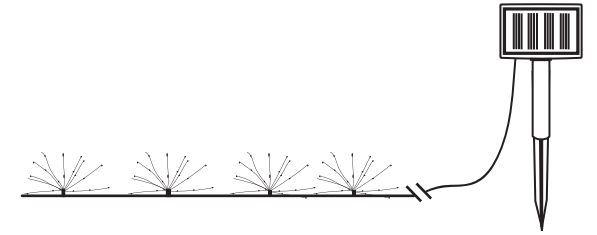


STEP 2.

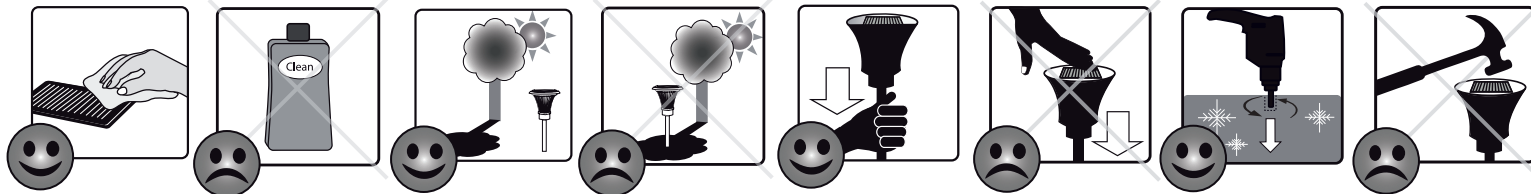
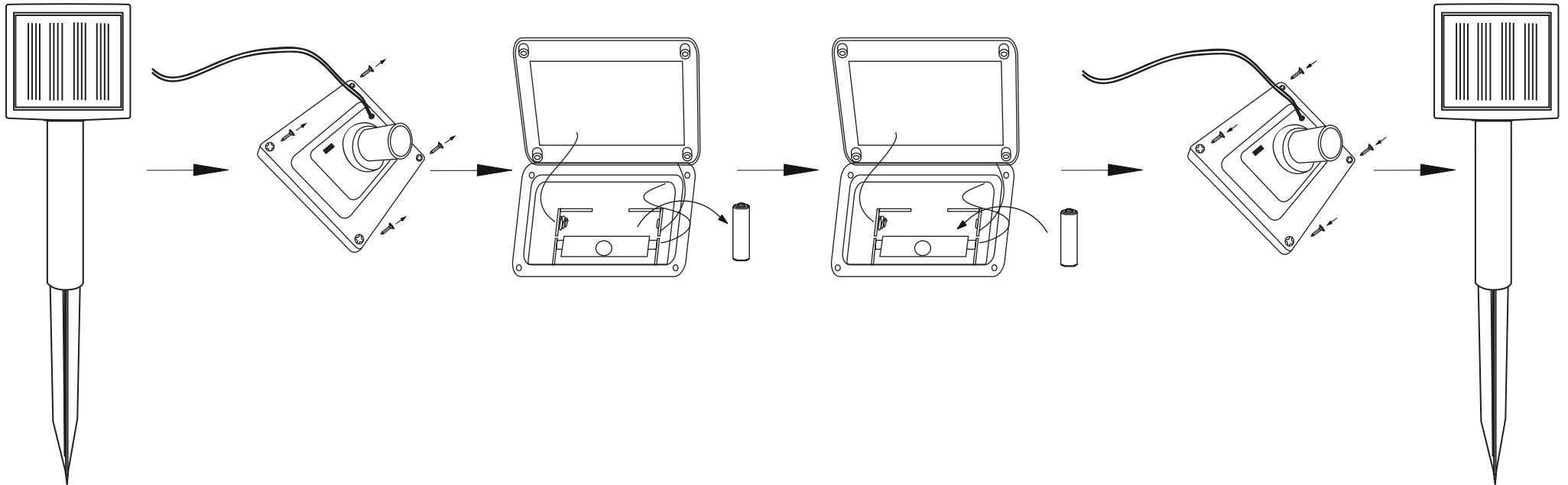


(AUTO )

(OFF )



## BATTERY REPLACEMENT



**STAR**<sup>®</sup>  
TRADING  
STAR STREET 1  
512 50 SVENLJUNGA  
SWEDEN  
[www.startrading.com](http://www.startrading.com)