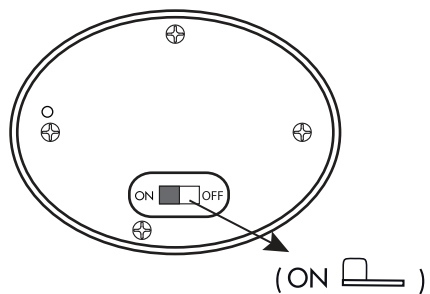


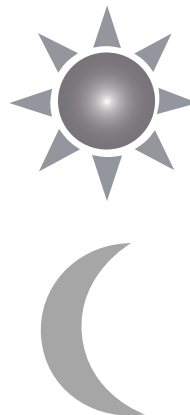
Art.no 481-26

FIRST USE

STEP 1.

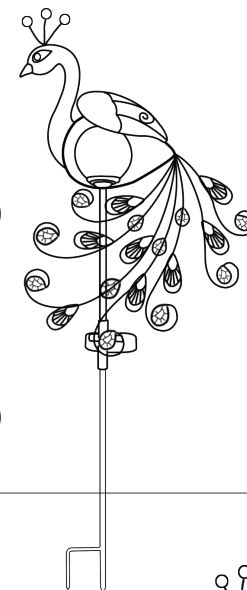


STEP 2.



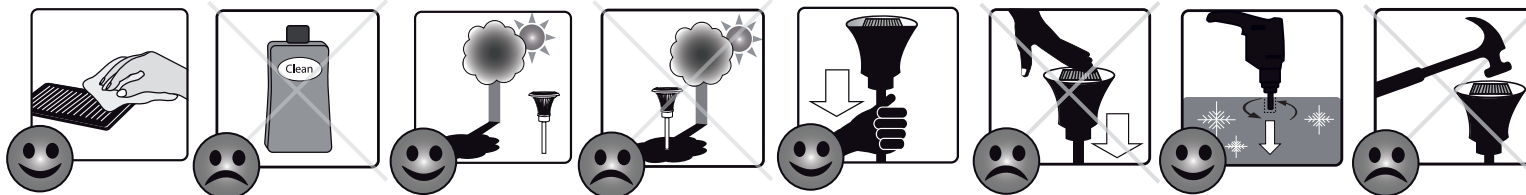
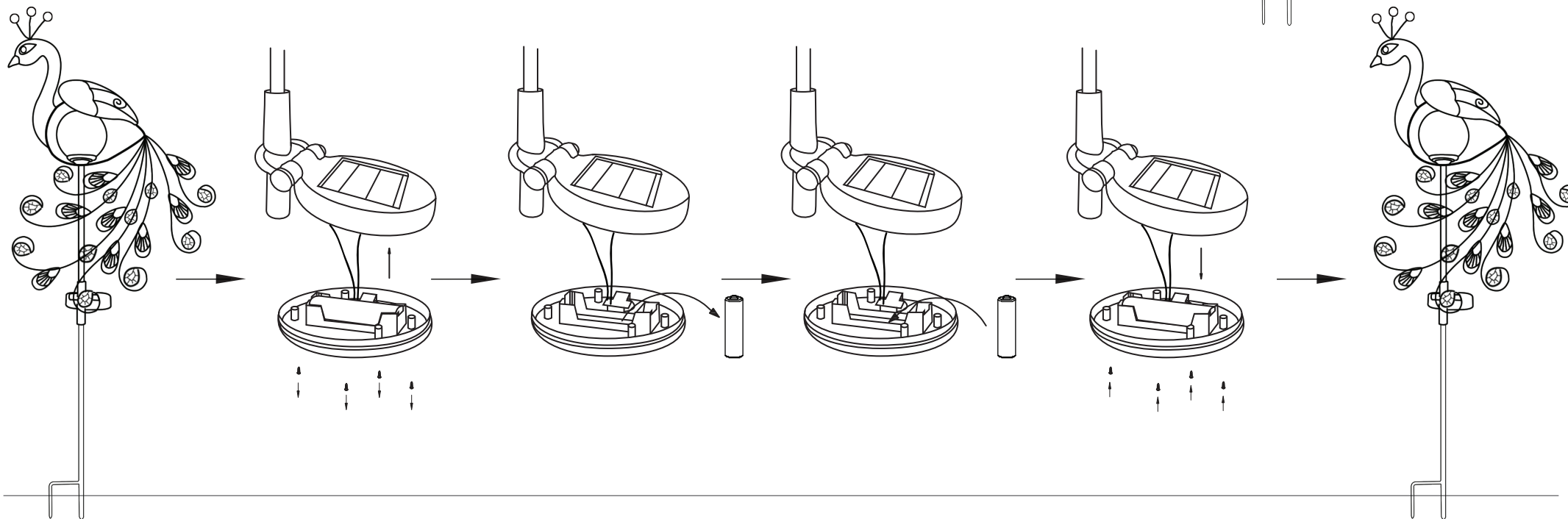
(ON [switch icon])

(OFF [switch icon])



Ready after
36 h in the sun

BATTERY REPLACEMENT



STAR[®]
TRADING
STAR STREET 1
512 50 SVENLJUNGA
SWEDEN
www.startrading.com